

## HOOD FILTERS

### Made in stainless steel AISI 304 (EN 1.4301)

CODE	DIMENSION (LxH)	PRICE EURO
<b>FI4035SS</b>	400x350x21	<b>36,00</b>
<b>FI4040SS</b>	400x400x21	<b>38,00</b>
<b>FI4050SS</b>	400x500x21	<b>40,00</b>
<b>FI5040SS</b>	500x400x21	<b>40,00</b>
<b>FI5050SS</b>	500x500x21	<b>43,00</b>



### Made in stainless steel AISI 430 (EN 1.4016)

CODE	DIMENSION (LxH)	PRICE EURO
<b>FI4035ST</b>	400x350x21	<b>31,00</b>
<b>FI4040ST</b>	400x400x21	<b>33,00</b>
<b>FI4050ST</b>	400x500x21	<b>35,00</b>
<b>FI5040ST</b>	500x400x21	<b>35,00</b>
<b>FI5050ST</b>	500x500x21	<b>38,00</b>

### Made in stainless steel AISI 304 (EN 1.4301)

CODE	DIMENSION (LxH)	PRICE EURO
<b>FA4035SS</b>	400x350x27	<b>38,00</b>
<b>FA4040SS</b>	400x400x27	<b>40,00</b>
<b>FA4050SS</b>	400x500x27	<b>43,00</b>
<b>FA5040SS</b>	500x400x27	<b>43,00</b>
<b>FA5050SS</b>	500x500x27	<b>47,00</b>



### Made in stainless steel AISI 430 (EN 1.4016)

CODE	DIMENSION (LxH)	PRICE EURO
<b>FA4035ST</b>	400x350x27	<b>33,00</b>
<b>FA4040ST</b>	400x400x27	<b>35,00</b>
<b>FA4050ST</b>	400x500x27	<b>38,00</b>
<b>FA5040ST</b>	500x400x27	<b>38,00</b>
<b>FA5050ST</b>	500x500x27	<b>42,00</b>

## HOOD LAMPS

CODE	DESCRIPTION	PRICE EURO
<b>LA3600L</b>	Led ceiling lamp 3600 lumen dim. 1250 x 63 x 75 h mm 2 LED lights 36 W each	<b>100,00</b>
<b>LA1800L</b>	Led ceiling lamp 1800 lumen dim. 650 x 63 x 75 h mm 2 LED lights 18 W each	<b>72,00</b>



## WHEELS FOR SERVICE TROLLEYS - SUPPORT IN CHROMED STEEL

### WITHOUT BRAKE

CODE	DESCRIPTION	DIMENSION (mm)	PRICE EURO
<b>RU125D</b>	Swivelling wheel 125 mm	For round pipe Ø 25 mm	<b>16,00</b>
<b>RU125Q</b>	Swivelling wheel 125 mm	For square pipe 25 x 25 mm	<b>16,00</b>
<b>RU125Q4</b>	Swivelling wheel 125 mm	For square pipe 40 x 40 mm	<b>18,00</b>



### WITH BRAKE

CODE	DESCRIPTION	DIMENSION (mm)	PRICE EURO
<b>RU125DF</b>	Swivelling wheel 125 mm	For round pipe Ø 25 mm	<b>19,00</b>
<b>RU125QF</b>	Swivelling wheel 125 mm	For square pipe 25 x 25 mm	<b>19,00</b>
<b>RU125Q4F</b>	Swivelling wheel 125 mm	For square pipe 40 x 40 mm	<b>21,00</b>



## WHEELS FOR SERVICE TROLLEYS - SUPPORT IN STAINLESS STEEL

### WITHOUT BRAKE - Made in stainless steel AISI 304 (EN 1.4301)

CODE	DESCRIPTION	DIMENSION (mm)	PRICE EURO
<b>RU125DSS</b>	Swivelling wheel 125 mm	For round pipe Ø 25 mm	<b>28,00</b>
<b>RU125QSS</b>	Swivelling wheel 125 mm	For square pipe 25 x 25 mm	<b>28,00</b>
<b>RU125Q4SS</b>	Swivelling wheel 125 mm	For square pipe 40 x 40 mm	<b>30,00</b>



### WITH BRAKE - Made in stainless steel AISI 304 (EN 1.4301)

CODE	DESCRIPTION	DIMENSION (mm)	PRICE EURO
<b>RU125DFSS</b>	Swivelling wheel 125 mm	For round pipe Ø 25 mm	<b>33,00</b>
<b>RU125QFSS</b>	Swivelling wheel 125 mm	For square pipe 25 x 25 mm	<b>33,00</b>
<b>RU125Q4FSS</b>	Swivelling wheel 125 mm	For square pipe 40 x 40 mm	<b>35,00</b>



## ROUND BUMPERS

CODE	DESCRIPTION	DIMENSION (mm)	PRICE EURO
<b>PAR D25</b>	Grey thermoplastic	For round pipe diam. 25 mm	<b>2,00</b>
<b>PAR Q25</b>	Grey thermoplastic	For square pipe 25 x 25 mm	<b>2,00</b>
<b>PAR Q40</b>	Grey thermoplastic	For square pipe 40 x 40 mm	<b>3,20</b>



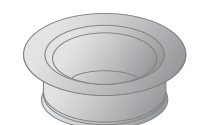
## CORNER BUMPERS

CODE	DESCRIPTION	DIMENSION (mm)	PRICE EURO
<b>ANG BK</b>	Black rubber 2 fixing holes	115 x 115 x 40 mm	<b>5,50</b>
<b>ANG GR</b>	Grey rubber 2 fixing holes	115 x 115 x 40 mm	<b>5,50</b>
<b>ANG BKTP</b>	Black rubber 4 fixing holes	96 x 96 x 25 mm distance between the holes 40 mm	<b>5,00</b>
<b>ANG GRTP</b>	Grey rubber 4 fixing holes	96 x 96 x 25 mm distance between the holes 40 mm	<b>5,00</b>
<b>ANG GRPVC</b>	Grey PVC 4 fixing holes	112 x 112 x 25,5 mm distance between the holes 40 mm	<b>3,00</b>



## SCRAPING RINGS FOR DISHWASHER TABLE

CODE	DESCRIPTION	DIMENSION (mm)	PRICE EURO
<b>COLL SM</b>	Black rubber	Internal diameter 180 mm Table hole 200 mm	<b>28,00</b>
<b>COLL XS</b>	Black low density rubber	Internal diameter 165 mm Table hole 200 mm	<b>10,00</b>
<b>COPP XS</b>	Stainless steel lid for COLL XS		<b>21,00</b>
<b>COLL LG</b>	Grey rubber	Internal diameter 180 mm External diameter 230 mm	<b>50,00</b>
<b>ANSS LG</b>	Stainless steel ring frame for COLL LG frame to be welded to the table		<b>50,00</b>
<b>COLL CO</b>	Grey rubber	Conical scraping ring for even assembly with table top Internal diameter 160 mm External diameter 245 mm	<b>46,00</b>
<b>ANSS CO</b>	Stainless steel frame for ring COLL CO frame to be welded to the table		<b>46,00</b>



VARIOUS COLORS AVAILABLE ON REQUEST

## ADJUSTABLE FEET

### FOR SQUARE PIPE 35x35 mm

CODE	DESCRIPTION	DIMENSION (mm)	PRICE EURO
------	-------------	----------------	------------

#### INSERT AND FOOT OF NYLON 6

<b>FTPBK35</b>	Black	length 23-60 mm	<b>1,00</b>
<b>FTPGR35</b>	Grey	length 23-60 mm	<b>1,00</b>



### FOR SQUARE PIPE 40x40 mm

CODE	DESCRIPTION	DIMENSION (mm)	PRICE EURO
------	-------------	----------------	------------

#### INSERT AND FOOT OF NYLON 6

<b>FTPWH4</b>	White	length 15-45 mm	<b>1,00</b>
<b>FTPBK4</b>	Black	length 15-45 mm	<b>1,20</b>
<b>FTPGR4</b>	Grey	length 15-45 mm	<b>1,20</b>



#### INSERT OF NYLON 6, FOOT OF NYLON/STAINLESS STEEL

<b>FTMBK4</b>	Black	length 15-45 mm	<b>2,00</b>
<b>FTMGR4</b>	Grey	length 15-45 mm	<b>2,00</b>



### LONG VERSION

#### INSERT OF NYLON 6, FOOT OF NYLON/STAINLESS STEEL

<b>FTMBK4L</b>	Black	length 15-80 mm	<b>2,80</b>
<b>FTMGR4L</b>	Grey	length 15-80 mm	<b>2,80</b>



### FOR ROUND PIPE Ø 40 mm

CODE	DESCRIPTION	DIMENSION (mm)	PRICE EURO
------	-------------	----------------	------------

#### INSERT AND FOOT OF NYLON 6

<b>FTPBK4D</b>	Black	length 25-45 mm	<b>1,50</b>
<b>FTPGR4D</b>	Gray	length 25-45 mm	<b>1,50</b>



## ADJUSTABLE FEET

### SQUARE BASE DIM. 100x100 mm - FOOT DIAMETER 2"

CODE	DESCRIPTION	DIMENSION (mm)	PRICE EURO
------	-------------	----------------	------------

#### BASE AND FOOT IN NYLON 6

<b>FTPBK2</b>	Black	length 140-200 mm	<b>5,50</b>
<b>FTPGR2</b>	Grey	length 140-200 mm	<b>5,50</b>



#### BASE IN NYLON 6, FOOT IN NYLON/STAINLESS STEEL

<b>FTMBK2</b>	Black	length 140-200 mm	<b>6,50</b>
<b>FTMGR2</b>	Grey	length 140-200 mm	<b>6,50</b>



#### BASE AND FOOT IN STAINLESS STEEL

<b>FTSS02</b>	S/S	length 140-200 mm	<b>7,00</b>
---------------	-----	-------------------	-------------



### SQUARE BASE DIM. 85x85 mm

CODE	DESCRIPTION	DIMENSION (mm)	PRICE EURO
------	-------------	----------------	------------

#### BASE AND FOOT IN NYLON 6

<b>FTPBK85</b>	Black	length 105 mm	<b>3,50</b>
<b>FTPGR85</b>	Grey	length 105 mm	<b>3,50</b>



## CORNER THREE WAYS CONNECTION

CODE	DESCRIPTION	DIMENSION (mm)	PRICE EURO
------	-------------	----------------	------------

<b>TRI BK</b>	Black nylon 66 for square pipe	40 x 40 mm	<b>5,80</b>
---------------	-----------------------------------	------------	-------------

<b>TRI GR</b>	Grey nylon 6 for square pipe	40 x 40 mm	<b>5,80</b>
---------------	---------------------------------	------------	-------------



# KIT FOR TABLE

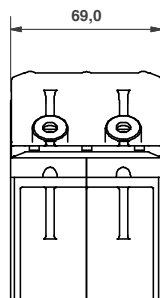
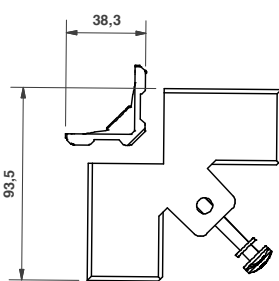
## FOR UPPER SHELF USE

CODE	DESCRIPTION	PRICE EURO
------	-------------	------------

**KITTAB1** Kit for dismountable table  
For 40x40 mm tube with 0,9 to 1,2 thickness

**5,00**

Kit composed by:  
 1 x Upper corner with tab  
 1 x Lower corner without tab  
 1 x Interior at 45° with 2 nuts  
 2 x M6 x 40 screws  
 2 x M6 washers



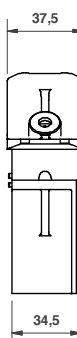
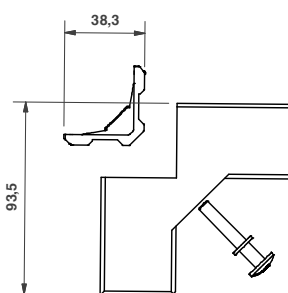
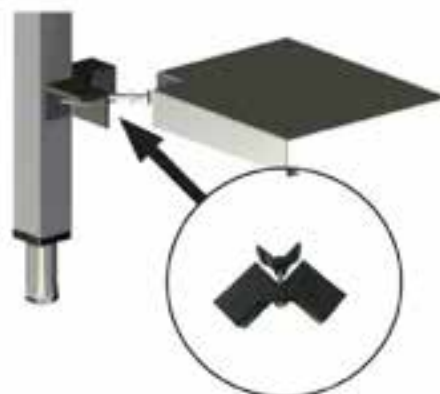
## FOR LOWER SHELF USE

CODE	DESCRIPTION	PRICE EURO
------	-------------	------------

**KITTAB2** Kit for dismountable table  
For 40x40 mm tube with 0,9 to 1,2 thickness

**3,00**

Kit composed by:  
 1 x Under corner without tab  
 1 x Interior at 45° with 1nut  
 1 x M6 x 40 screw  
 1 x M6 washer

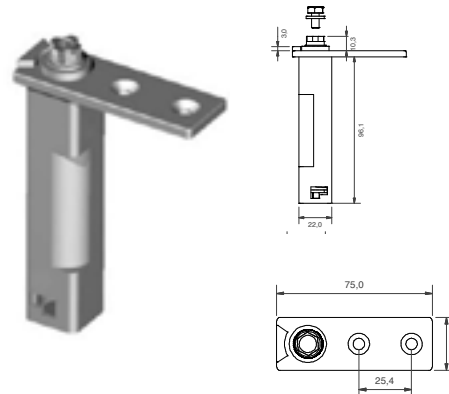


# BRACKETS FOR DOOR

CODE	DESCRIPTION	PRICE EURO
------	-------------	------------

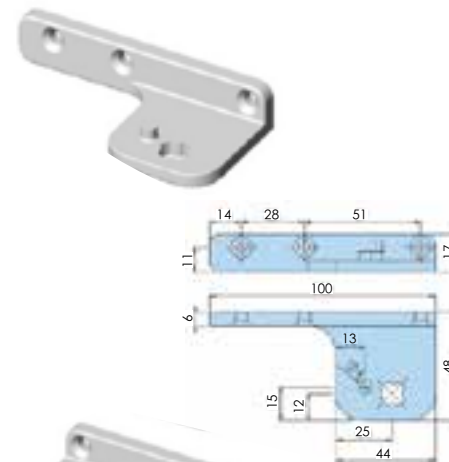
**CERC004** Nickel plated zamak 5 pivot hinge with automatic return spring. Interchangeable for right or left doors. Door weight 25 kg max. Heavy door 2 hinges recommended

**6,00**



**PER004A** Lower right or upper left bracket for pivot made of nickel plated zamak 5 to use with CERC004

**3,00**



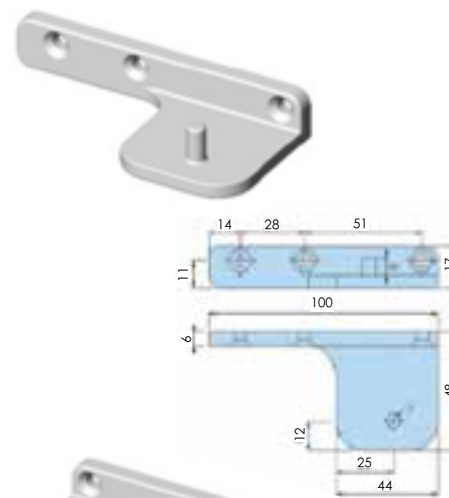
**PER004B** Upper right or lower left bracket for pivot made of nickel plated zamak 5 to use with CERC004

**3,00**



**PER001** Nickel plated zamak 5 bracket for door. Lower right or upper left

**3,00**



**PER002** Nickel plated zamak 5 bracket for door. Upper right or lower left

**3,00**



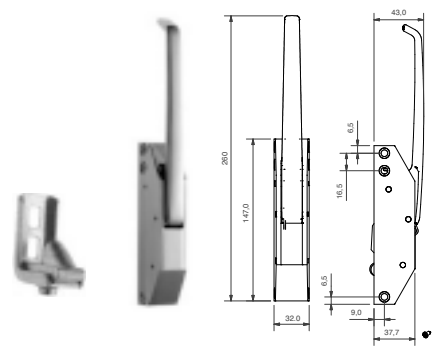
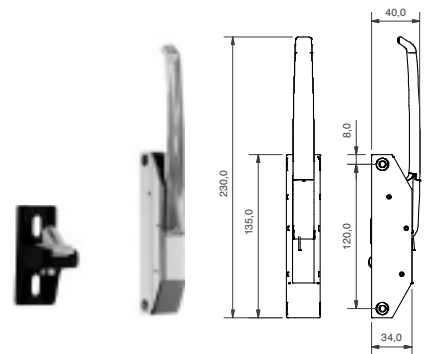
## VERTICAL HINGES

CODE	DESCRIPTION	PRICE EURO
<b>CERC001</b>	Chrome plated zamak 5, 120 mm vertical hinge with black ABS cover	<b>7,00</b>
<b>CERC002</b>	Chrome plated zamak 5 95 mm vertical hinge	<b>8,50</b>
<b>CERC003</b>	Chrome plated zamak 5 100 mm vertical hinge	<b>9,00</b>



## LATCHES FOR COUNTERS, CABINETS AND OVENS

CODE	DESCRIPTION	PRICE EURO
<b>MANC01</b>	Latch for counters and cabinet doors Dimensions 230 x 28 mm Door edge installation. For left or right door. Handle and cover made of made of Chrome plated zamak 5 Latch hook made of plastic	<b>16,00</b>
<b>MANC02</b>	Latch for counters and cabinet doors Dimensions 260 x 32 mm Door edge installation. For left or right door. Handle and cover made of made of Chrome plated zamak 5 Latch hook made of steel	<b>20,00</b>



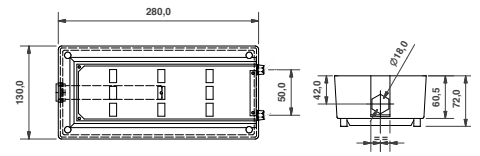


## WATER EVAPORATION TRAY

CODE	DESCRIPTION	PRICE EURO
------	-------------	------------

**VASEVA** Alluminium water evaporation tray with PTC type resistance, 220 V- 230W  
Capacity 1,9 L  
Resistance diam. 12 mm.  
Evaporation capacity: 0,200- 0,250 L/hour

**48,00**



## SLIDING DOOR TRACKS AND BRACKETS

CODE	DESCRIPTION	PRICE EURO
------	-------------	------------

**GUI3M** Sliding door track in extruded alluminium  
- 46 mm width - 3000 mm total lenght

**20,00**



**SUPDA** Front support made of zinc plated steel

**1,80**



**SUPDI** Rear support made of zinc planted steel

**1,80**



## RACK SUPPORTS

CODE	DESCRIPTION	PRICE EURO
------	-------------	------------

**CRE2M** Stainless steel AISI 304 pilaster  
l = 2000 mm

**6,00**



**SUPS** Stainless steel AISI 304 holder  
shelf

**0,35**



**SUPG** Stainless steel AISI 304 holder for grid

**0,35**

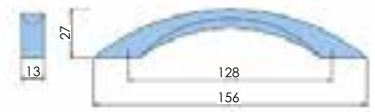


# HANDLES FOR DOORS AND DRAWERS

CODE	DESCRIPTION	PRICE EURO
------	-------------	------------

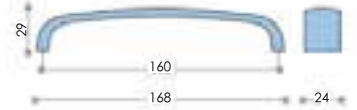
**MAN001** Handle made of brushed zamak nickel plated with screws  
dim. 156 x 27 mm

**4,90**



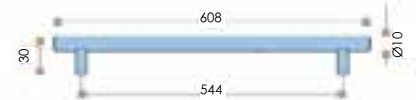
**MAN002** Handle made of brushed zamak 5 nickel plated with screws  
dim. 168 x 29 mm

**8,40**



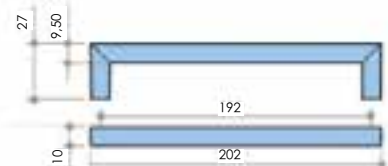
**MAN003** Handle made of stainless steel with screws  
dim. 608 x 30 mm

**15,00**



**MAN004** Handle made of brushed zamak nickel plated  
dim. 202 x 27 mm

**8,40**

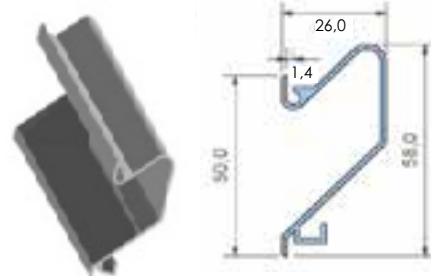


## HANDLES FOR DOORS AND DRAWERS

CODE	DESCRIPTION	PRICE EURO
------	-------------	------------

**MAN3M** Profile for handle made of natural anodised aluminium  
Total length 3000 mm

**65,00**



**TERMAN** Pair of end caps for handle MAN3M (two pieces) grey color

**0,90**



## POLYETHYLENE CHOPPING BLOCKS

Chopping blocks with custom made dimensions in polyethylene.

Dimensions:

- 500 x 600 mm	- 1500 x 700 mm
- 600 x 600 mm	- 1800 x 700 mm
- 700 x 700 mm	- 1000x2000 mm

Thickness: 25, 30, 50, 100 mm

Colors: white, red, blue, green, yellow

OTHER DIMENSIONS, THICKNESS AND COLORS ON REQUEST.

