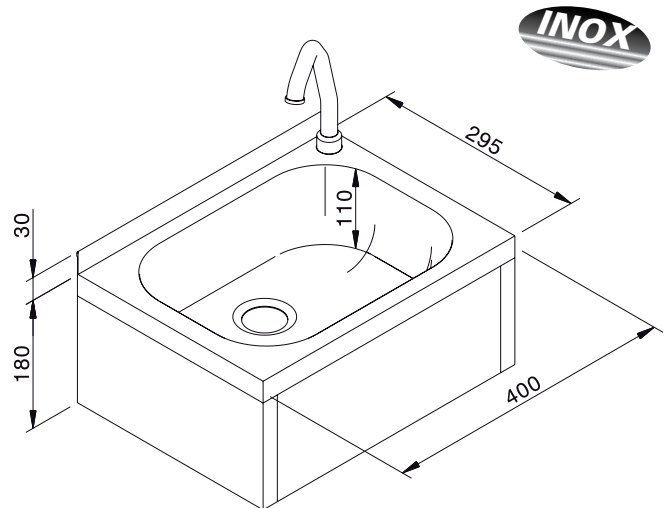
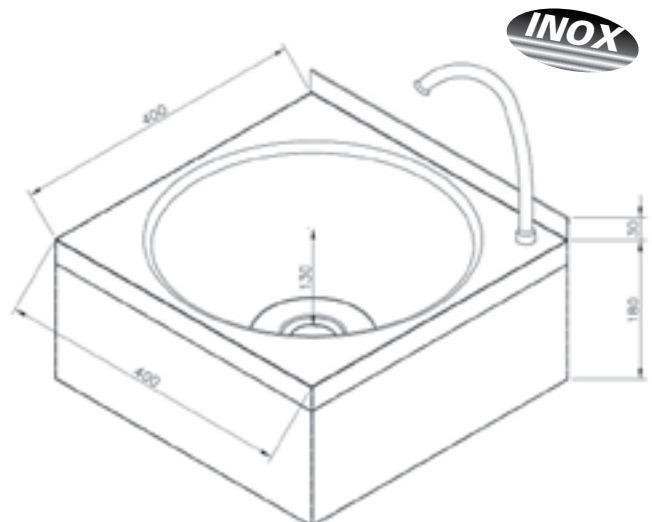


KNEE OPERATED WASH HAND BASINS

CODE	DESCRIPTION	DIMENSION (mm)	PRICE EURO
LMG400	All our wash basins are made of stainless steel and are complete of: - knee operated single water control switch - swivelling spout - sprayer hose - drain plug 1" 1/2	Overall dimensions: mm 400x295x180 h Bowl dimensions: mm 345x250x110 h	200,00

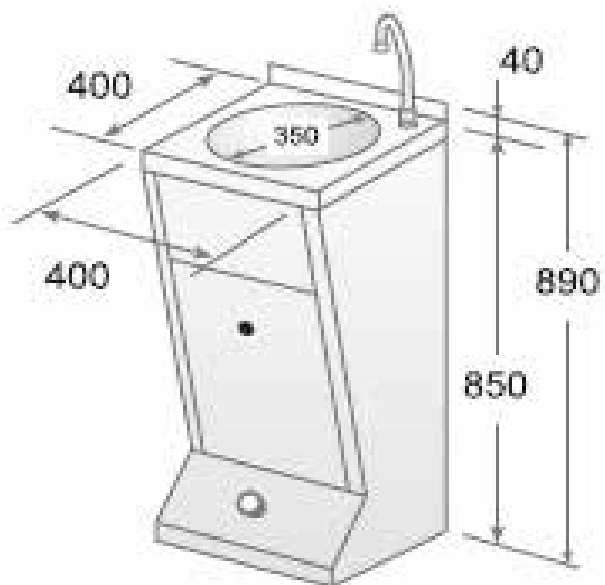


CODE	DESCRIPTION	DIMENSION (mm)	PRICE EURO
LMG440	All our wash basins are made of stainless steel and are complete of: - knee operated single water control switch - swivelling spout - sprayer hose - drain plug 1" 1/2	Overall dimensions: mm 400x400x180 h Bowl dimensions: mm 360x130 h	220,00



FOOT OPERATED WASH HAND BASINS

CODE	DESCRIPTION	DIMENSION (mm)	PRICE EURO
LMPCOL	Free standing foot operated wash hand basin made of stainless steel complete of: -foot operated hot/cold mixer tap; -swivelling spout; -sprayer hose; -drain plug 1" 1/2	Overall dim: mm 400x400x890 h Bowl dimensions: mm 360x130 h	350,00



KIT FOR WASH HAND BASIN

CODE	DESCRIPTION	PRICE EURO
------	-------------	------------

KITCR

Kit for foot operated wash hand basin composed of:

54,00

- **TEMNONCR**: timed tap with flange 1/2" F - 5÷10 seconds
- **FLS1000FF**: hose covered with s/s sleeve length 1000 mm - 1/2" F-F
- **CAGR200**: spout L 200 mm
- **PIPL50**: drain plug diam. 1 1/2" made of plastic



CODE	DESCRIPTION	PRICE EURO
------	-------------	------------

KITLAV

Kit for knee operated wash hand basin composed of:

44,00

- **TEMNON**: single water mixer switch 1 inlet - 1 outlet
- **FLS500FF**: hose covered with s/s sleeve length 500 mm - 1/2" F-F
- **CAGR200**: spout L 200 mm
- **PIPL50**: drain plug diam. 1 1/2" made of plastic



CODE	DESCRIPTION	PRICE EURO
------	-------------	------------

KITPED

Kit for pedal operated wash hand basin composed of:

150,00

- **PED0002**: foot operated mixer tap - 1/2"
- **FLS1000FF**: hose covered with s/s sleeve length 1000 mm - 1/2" F-F
- **CAGR200**: spout L 200 mm
- **PIPL50**: drain plug diam. 1 1/2" made of plastic



FOOT PEDAL

CODE	DESCRIPTION	PRICE EURO
------	-------------	------------

PED0001	Foot operated single water tap - 1/2" Single lever Floor installation	85,00
----------------	---	--------------



PED0002	Foot operated mixer tap - 1/2" Single lever Floor installation	130,00
----------------	--	---------------



PED0003	Foot operated mixer tap - 1/2" Two levers - hot/cold water Floor installation	135,00
----------------	---	---------------



PED0004	Foot operated mixer tap - 1/2" Two levers - hot/cold water with lock Floor installation	140,00
----------------	---	---------------



OPTIONALS

CODE	DESCRIPTION	PRICE EURO
------	-------------	------------

MIXCF	Hot-cold water mixer for TEMMON	15,00
--------------	---------------------------------	--------------



SIPL50	Drain Trap 1 1/2" - single way	5,00
---------------	--------------------------------	-------------



SPARE PARTS

CODE	DESCRIPTION	PRICE EURO
------	-------------	------------

CAGR200	Spout L=200 mm	15,00
----------------	----------------	--------------



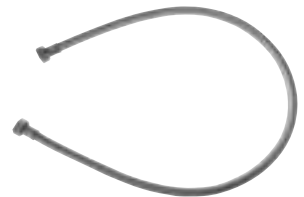
TEMMON	Single water switch 1 inlet – 1 outlet	30,00
---------------	--	--------------



FLS500FF	Hose covered with s/s sleeve Length 500 mm - 1/2" F-F	7,00
-----------------	--	-------------



FLS1000FF	Flexible hose Length 1000 mm - 1/2" F-F	10,00
------------------	--	--------------



PIPL50	Drain plug diam. 1 1/2" made of plastic For wash hand basin	4,00
---------------	--	-------------



TEMMONCR	Timed tap with flange 1/2" F - 5÷10 seconds	40,00
-----------------	---	--------------

