

KNEE OPERATED WASH HAND BASINS

CODE	DESCRIPTION	DIMENSION (mm)	PRICE EURO
------	-------------	----------------	------------

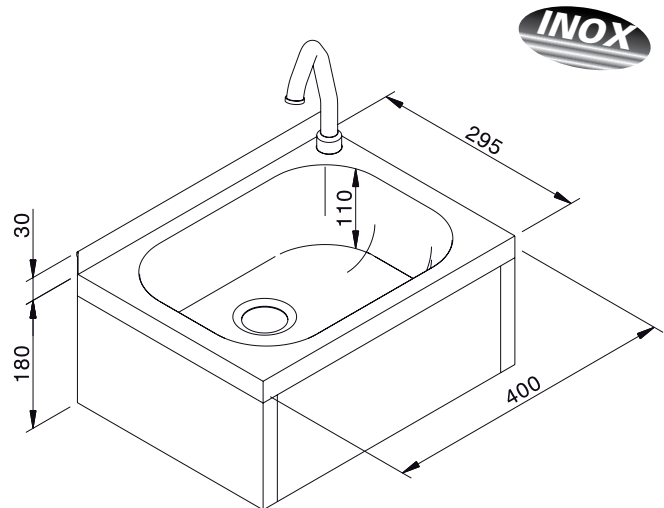
LMG400 All our wash basins are made of stainless steel and are complete of:

- knee operated single water control switch
- swivelling spout
- sprayer hose
- drain plug 1" 1/2

Overall dimensions:
mm 400x295x180h

200,00

Bowl dimensions:
mm 345x250x110h



CODE	DESCRIPTION	DIMENSION (mm)	PRICE EURO
------	-------------	----------------	------------

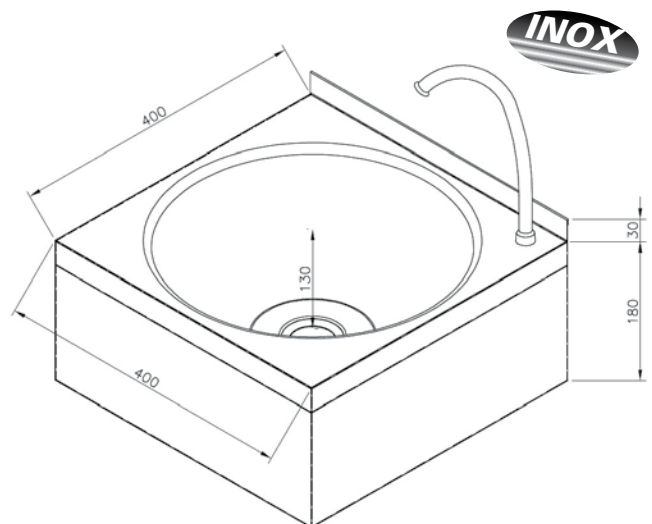
LMG440 All our wash basins are made of stainless steel and are complete of:

- knee operated single water control switch
- swivelling spout
- sprayer hose
- drain plug 1" 1/2

Overall dimensions:
mm 400x400x180h

220,00

Bowl dimensions:
mm 360x130



KIT FOR WASH HAND BASIN

CODE	DESCRIPTION	PRICE EURO
------	-------------	------------

KITLAV

Kit for knee operated wash hand basin composed of:

44,00

- **TEMNON:** single water mixer switch 1 inlet - 1 outlet
- **FLS500FF:** hose covered with s/s sleeve lenght 500 mm - 1/2" F-F
- **CAGR200:** spout L 200 mm
- **PIPL50:** drain plug diam. 1 1/2" made of plastic



CODE	DESCRIPTION	PRICE EURO
------	-------------	------------

KITCR

Kit for foot operated wash hand basin composed of:

54,00

- **TEMNONCR:** timed tap with flange 1/2" F - 5÷10 seconds
- **FLS1000FF:** hose covered with s/s sleeve lenght 1000 mm - 1/2" F-F
- **CAGR200:** spout L 200 mm
- **PIPL50:** drain plug diam. 1 1/2" made of plastic



CODE	DESCRIPTION	PRICE EURO
------	-------------	------------

KITPED

Kit for pedal operated wash hand basin composed of:

160,00

- **PED1L:** foot operated mixer tap - 1/2"
- **FLS1000FF:** hose covered with s/s sleeve lenght 1000 mm - 1/2" F-F
- **CAGR200:** spout L 200 mm
- **PIPL50:** drain plug diam. 1 1/2" made of plastic



OPTIONALS

OPTIONAL FOR HAND-WASHER

CODE	DESCRIPTION	PRICE EURO
------	-------------	------------

MIXCF	Hot-cold water mixer for TEMMON	15,00
--------------	---------------------------------	--------------



SIPL50	Drain Trap 1 1/2" - single way	5,00
---------------	--------------------------------	-------------



SPARE PARTS

CODE	DESCRIPTION	PRICE EURO
------	-------------	------------

CAGR200	Spout L=200 mm	15,00
----------------	----------------	--------------



TEMMON	Single water mixer switch 1 inlet – 1 outlet	30,00
---------------	--	--------------



FLS500FF	Hose covered with s/s sleeve Length 500 mm - 1/2" F-F	7,00
-----------------	--	-------------



PIPL50	Drain plug diam. 1 1/2" made of plastic	4,00
---------------	---	-------------



TEMMONCR	Timed tap with flange 1/2" F - 5÷10 seconds	40,00
-----------------	---	--------------



DRAIN COCK

CODE	DESCRIPTION	PRICE EURO
PED1L	Foot operated mixer tap - 1/2"	130,00



CODE	DESCRIPTION	PRICE EURO
GIN1L	knee operated single water	50,00



CODE	DESCRIPTION	PRICE EURO
FLG600FF	Flexible hose length 600 mm - 1/2" F-F	8,00



CODE	DESCRIPTION	PRICE EURO
FLS1000FF	Flexible hose length 1000 mm - 1/2" F-F	13,00



HOOD FILTERS

Made in stainless steel AISI 304 (EN 1.4301)

CODE	DIMENSION (LxH)	PRICE EURO
FI4035SS	400x350x21	36,00
FI4040SS	400x400x21	38,00
FI4050SS	400x500x21	40,00
FI5040SS	500x400x21	40,00
FI5050SS	500x500x21	46,00



Made in stainless steel AISI 430 (EN 1.4016)

CODE	DIMENSION (LxH)	PRICE EURO
FI4035ST	400x350x21	27,00
FI4040ST	400x400x21	29,00
FI4050ST	400x500x21	31,00
FI5040ST	500x400x21	31,00
FI5050ST	500x500x21	36,00

